

TEAM ELECTRONICS TREIETSTRASSE 42 A-6832 SULZ	DATUM	NAME	PROJEKT/BEZEICHNUNG	IDENT-NR.	AE1
	GEZ.	23-08-2006	Mar te	Controller-Karte LPC2292, 140x74mm	
	GEPR.	06-12-2006	Mar te	Supply, Watchdog, RTC	
	STAND	31-12-2006	Mar te	BLATT	
				1/5	

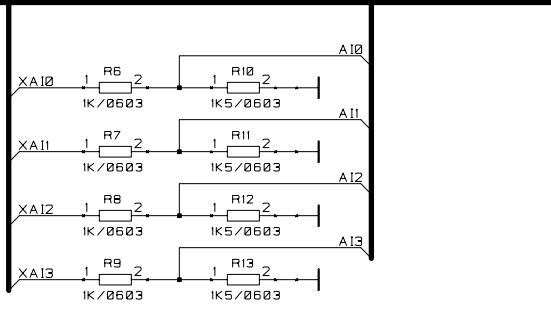
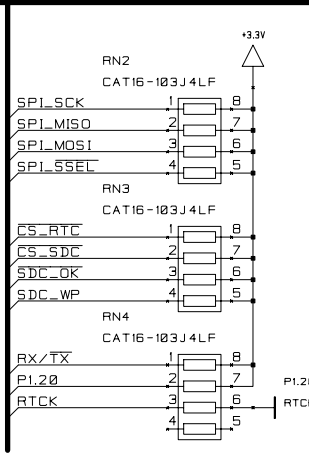
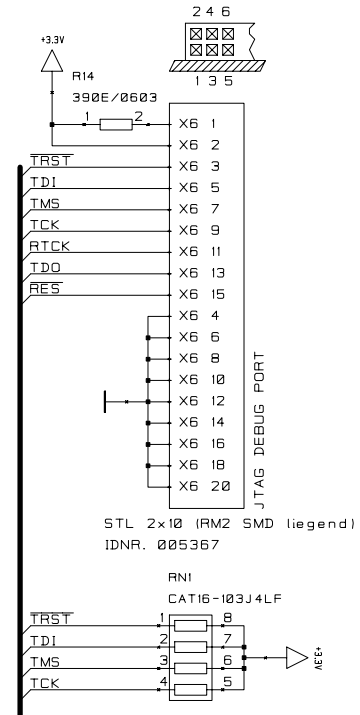
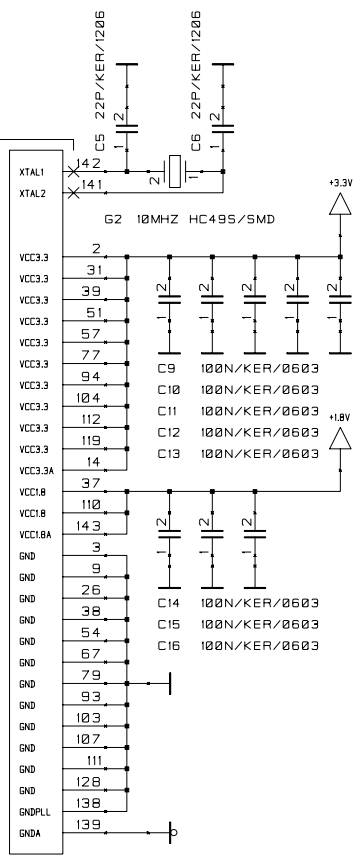
D1
LPC2292FBD144

TXD	42	P8.0/TXD0/PWM
RXD	49	P8.1/RXD0/PWM/VEINT0
RX/TX	50	P8.2/SCL/CAP8.0
EINT1	58	P8.3/SDA/MAT0.0/VEINT1
SPI_SCK	59	P8.4/SCK0/CAP9.1
SPI_MISO	61	P8.5/MISO0/MAT0.1
SPI_MOSI	68	P8.6/MOSI0/CAP8.2
SPI_SSEL	69	P8.7/SSEL0/PWM2/VEINT2
PWM4	75	P8.8/TXD1/PWM4
PWM6	76	P8.9/RXD1/PWM6/VEINT3
HS10	78	P8.10/RTS1/CAP1.0
HS11	83	P8.11/CTS1/CAP1.1
MAT0	84	P8.12/DSRV/MAT1.0/RD4
MAT1	85	P8.13/DIR/MAT1.1/TD4
BOOTLOADER	92	P8.14/BCD0/VEINT1
EINT2	99	P8.15/RT/VEINT2
EINT0	100	P8.16/VEINT0/MAT0.2/CAP0.2
MAT2	101	P8.17/CAP1.2/SCK1/MAT1.2
MAT3	121	P8.18/CAP1.3/MISO1/MAT1.3
HS12	122	P8.19/MAT1.2/MOSI1/CAP1.2
EINT3	123	P8.20/MAT1.3/SSEL1/VEINT3
HS13	4	P8.21/PWM5/RD3/CAP1.3
RTCSQW	5	P8.22/CAP8.2/MAT0.0
	6	P8.23/RD2
	8	P8.24/TD2
CANIRX	21	P8.25/RD1
CANITX	22	TD1
A10	23	P8.27/AIN0/CAP8.1/MAT0.1
A11	25	P8.28/AIN1/CAP8.2/MAT0.2
A12	32	P8.29/AIN2/CAP8.3/MAT0.3
A13	33	P8.30/AIN3/VEINT3/CAP8.0
RES	135	RESET

CS0	91	P1.0/CS0
RD	90	P1.1/DE
WD0	34	P1.16/TRACEPKT0
CS_RTC	24	P1.17/TRACEPKT1
CS_SDC	15	P1.18/TRACEPKT2
	7	P1.19/TRACEPKT3
P1.20	102	P1.20/TRACESYNC
SDC_OK	95	P1.21/PPESTAT0
SDC_WP	86	P1.22/PIPESTAT1
GPEPLD	82	P1.23/PIPESTAT2
	70	P1.24/TRACECLK
	60	P1.25/EXTNB
RTCK	52	P1.26/RTCK
TD0	144	P1.27/TD0
TD1	140	P1.28/TD1
TCK	126	P1.29/TCK
TMS	113	P1.30/TMS
TRST	43	P1.31/TRST

D0	98	P2.0/D0
D1	105	P2.1/D1
D2	106	P2.2/D2
D3	108	P2.3/D3
D4	109	P2.4/D4
D5	114	P2.5/D5
D6	115	P2.6/D6
D7	116	P2.7/D7
D8	117	P2.8/D8
D9	118	P2.9/D9
D10	120	P2.10/D10
D11	124	P2.11/D11
D12	125	P2.12/D12
D13	127	P2.13/D13
D14	129	P2.14/D14
D15	131	P2.15/D15
D16	130	P2.16/D16
D17	132	P2.17/D17
D18	133	P2.18/D18
D19	134	P2.19/D19
D20	136	P2.20/D20
D21	137	P2.21/D21
D22	1	P2.22/D22
D23	10	P2.23/D23
D24	11	P2.24/D24
D25	12	P2.25/D25
D26/BOOT0	13	P2.26/D26/BOOT0
D27/BOOT1	16	P2.27/D27/BOOT1
D28	17	P2.28/D28
D29	18	P2.29/D29
D30	19	P2.30/D30/AIN4
D31	20	P2.31/D31/AIN5

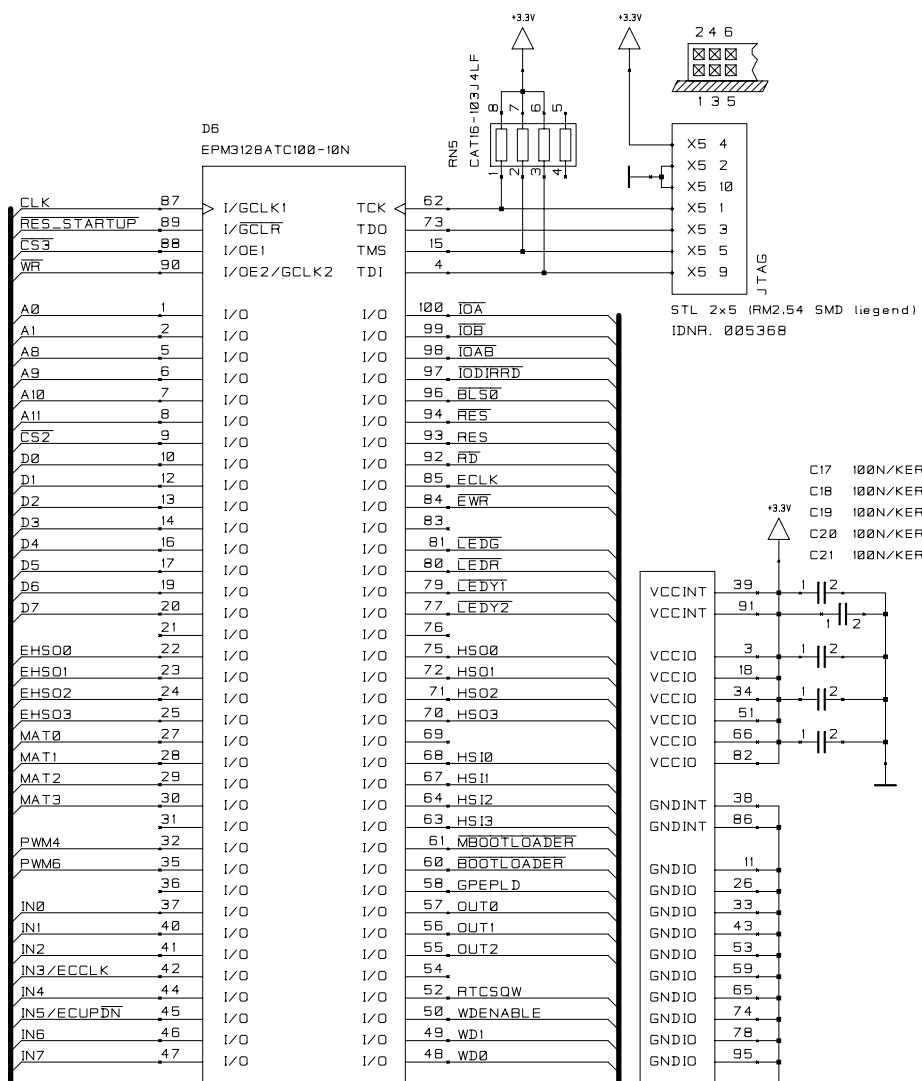
A0	89	P3.0/A0
A1	88	P3.1/A1
A2	87	P3.2/A2
A3	81	P3.3/A3
A4	80	P3.4/A4
A5	74	P3.5/A5
A6	73	P3.6/A6
A7	72	P3.7/A7
A8	71	P3.8/A8
A9	66	P3.9/A9
A10	65	P3.10/A10
A11	64	P3.11/A11
A12	63	P3.12/A12
A13	62	P3.13/A13
A14	56	P3.14/A14
A15	55	P3.15/A15
A16	53	P3.16/A16
A17	48	P3.17/A17
A18	47	P3.18/A18
A19	46	P3.19/A19
	45	P3.20/A20
	44	P3.21/A21
	41	P3.22/A22
CLK	40	P3.23/A23/XCLK
CS3	36	P3.24/CS3
CS2	35	P3.25/CS2
CS1	30	P3.26/CS1
WR	29	P3.27/WE
BL53	28	P3.28/BL53/AIN7
BL52	27	P3.29/BL52/AIN6
BL51	97	P3.30/BL51
BL50	96	P3.31/BL50



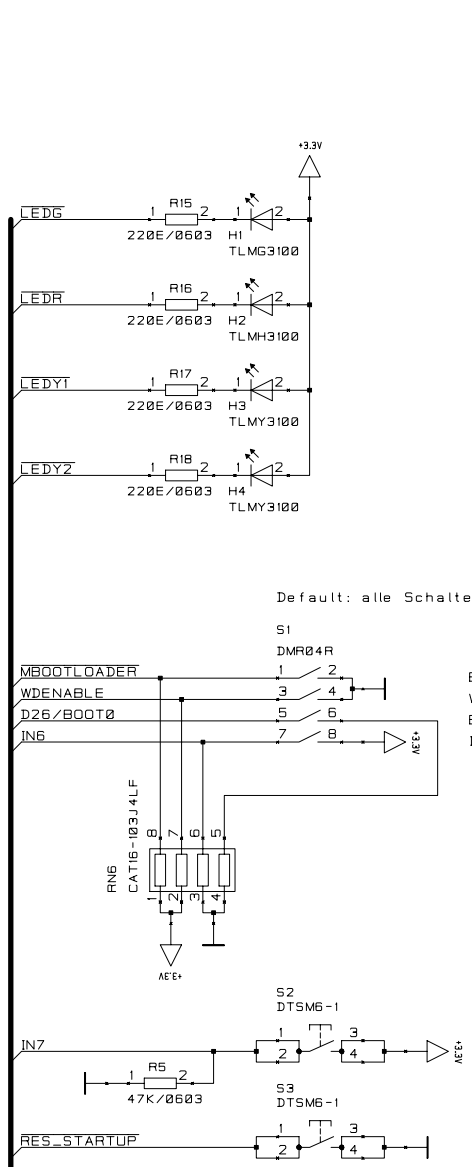
P1.20 = VCC: DISABLE TRACE-PORT AT RESET
RTCK = GND: ENABLE DEBUG-PORT AT RESET

TEAM
ELECTRONICS
TREIETSTRASSE 42
A-6832 SULZ

	DATUM	NAME	PROJEKT/BEZEICHNUNG	IDENT-NR.	AE1
GEZ.	23-08-2006	Mar te	Controller-Karte LPC2292, 140x74mm	A2213	00
GEPR.	06-12-2006	Mar te	LPC2292	BLATT	
STAND	31-12-2006	Mar te			2/5



programmiert mit S1143



Default: alle Schalter OFF

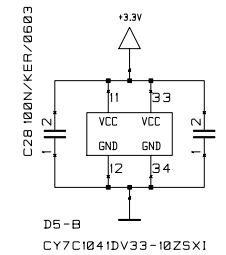
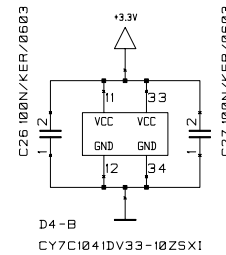
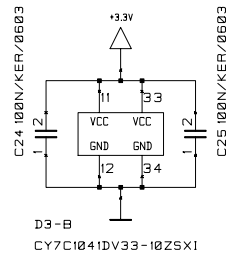
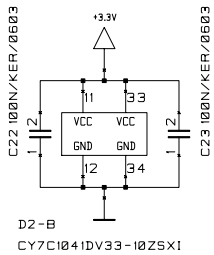
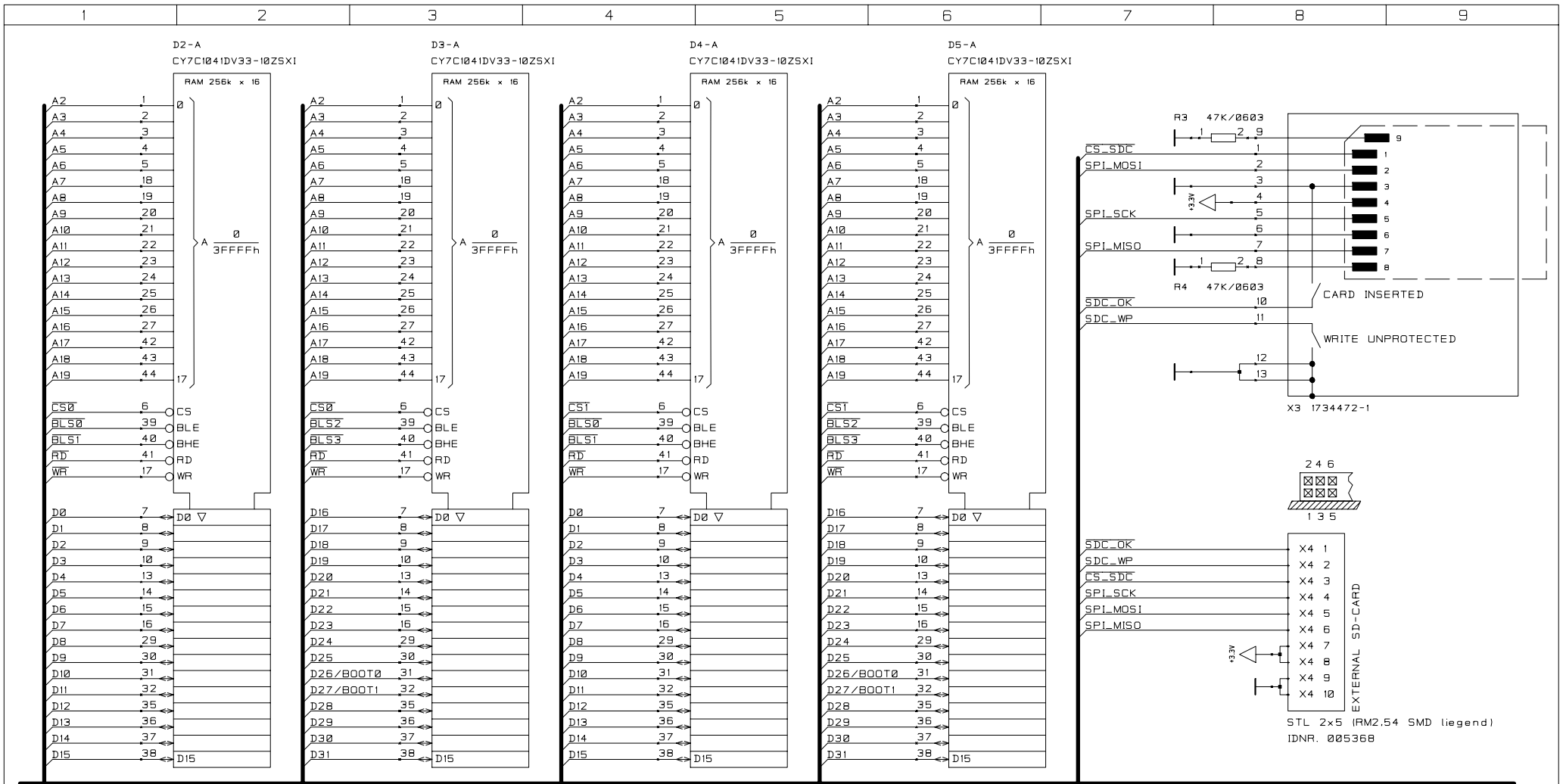
Bootloader aktivieren
Watchdog deaktivieren
Boot von CS0
Input 6 (Allgemeine Verwendung)

TEAM
ELECTRONICS
TREIETSTRASSE 42
A-6832 SULZ

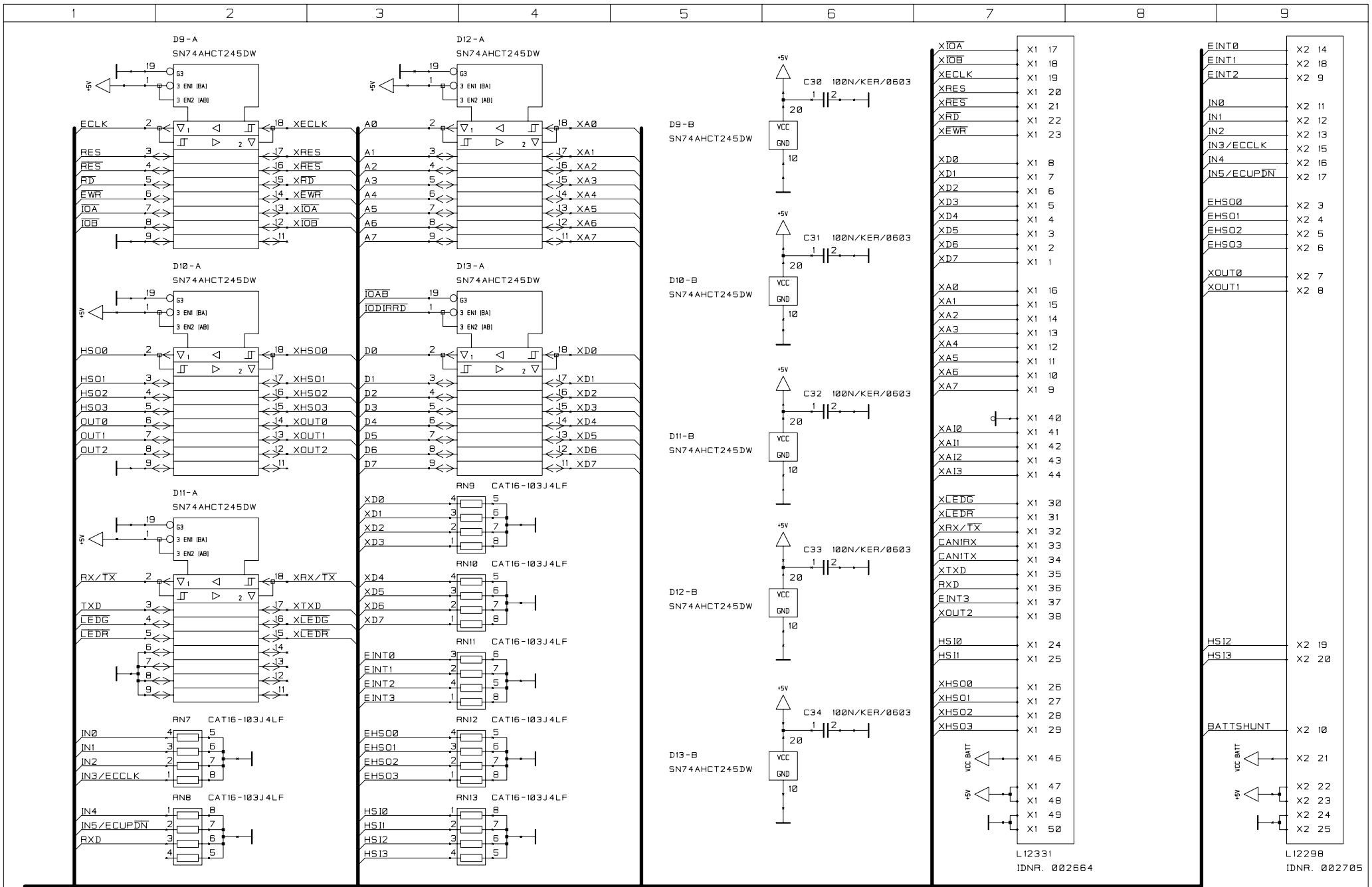
	DATUM	NAME
GEZ.	23-08-2006	Mar te
GEPR.	06-12-2006	Mar te
STAND	31-12-2006	Mar te

PROJEKT/BEZEICHNUNG
Controller-Karte LPC2292, 140x74mm
EPLD, Switches, LEDs

IDENT-NR. AE1
A2213 00
BLATT
3/5



TEAM ELECTRONICS TREIETSTRASSE 42 A-6832 SULZ	DATUM	NAME	PROJEKT/BEZEICHNUNG Controller-Karte LPC2292, 140x74mm Memory	IDENT-NR.	AE1	
	GEZ.	23-08-2006		Mar te	A2213	00
	GEPR.	06-12-2006		Mar te	BLATT	
	STAND	31-12-2006		Mar te		4 / 5



TEAM
ELECTRONICS
TREIETSTRASSE 42
A-6832 SULZ

	DATUM	NAME
GEZ.	23-08-2006	Mar te
GEPR.	06-12-2006	Mar te
STAND	31-12-2006	Mar te

PROJEKT/BEZEICHNUNG
Controller-Karte LPC2292, 140x74mm
X1, X2

IDENT-NR.	AE1
A2213	00
BLATT	
5 / 5	

L12331
IDNR. 002664

L12298
IDNR. 002705